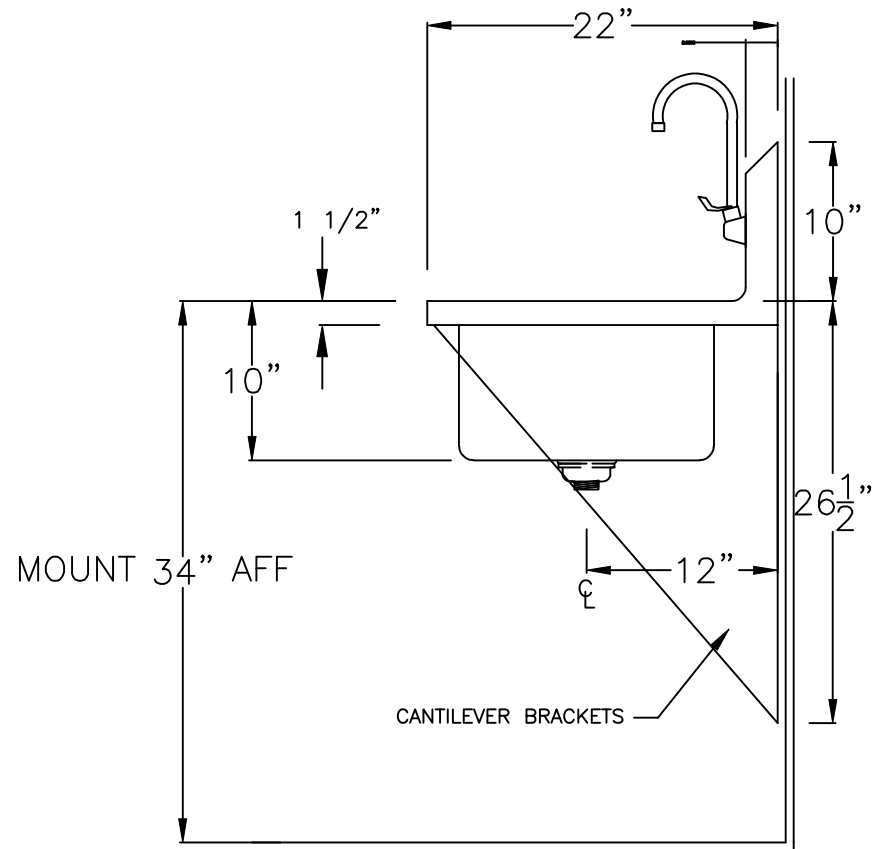
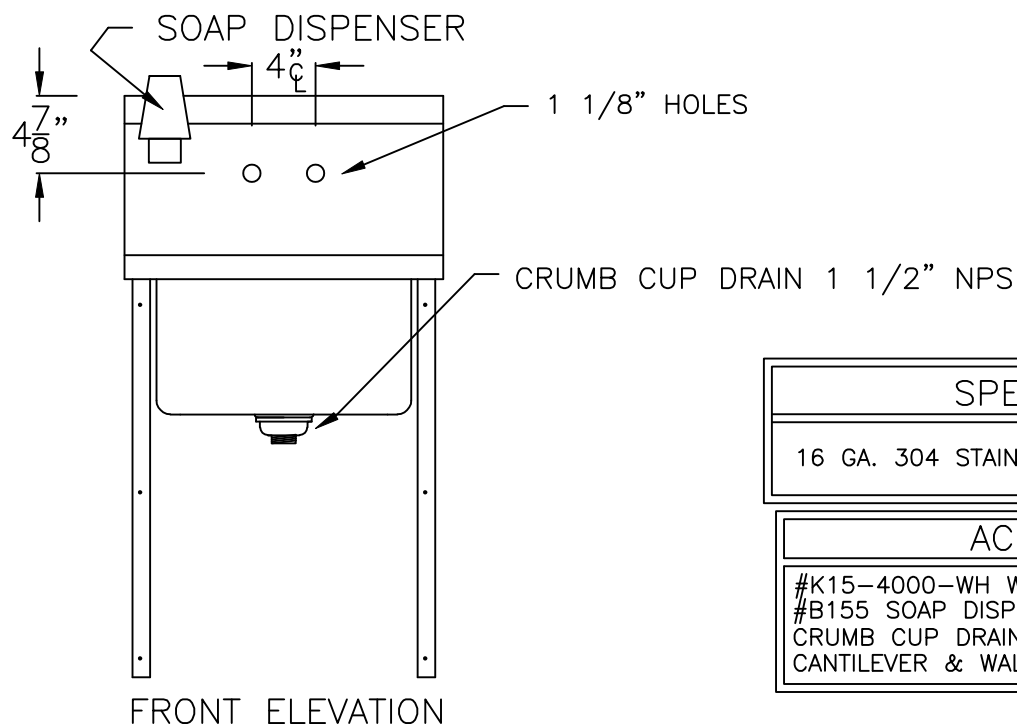


PLAN VIEW



SECTION VIEW



FRONT ELEVATION

SPECIFICATIONS

16 GA. 304 STAINLESS STEEL CONSTRUCTION

ACCESSORIES

#K15-4000-WH WITH WRIST BLADE HANDLES  
 #B155 SOAP DISPENSER  
 CRUMB CUP DRAIN 1 1/2" NPS  
 CANTILEVER & WALL MOUNT BRACKETS

DH-22 HANDSINK

Item Description: WALL MOUNT HANDSINK		
Sheet Description:		
Item #	Date: 2006	Engineer: RAH
Sales Order #	Drawing #MMS-324-00-02 MMS-1090	Sheet #

**Amtekco**  
INDUSTRIES, INC.

MANUFACTURERS OF QUALITY PRODUCTS FOR THE FOOD MARKETING INDUSTRY  
 1205 Regus Road, Columbus, Ohio 43207  
 (614) 228-5590 Fax (614) 737-8016